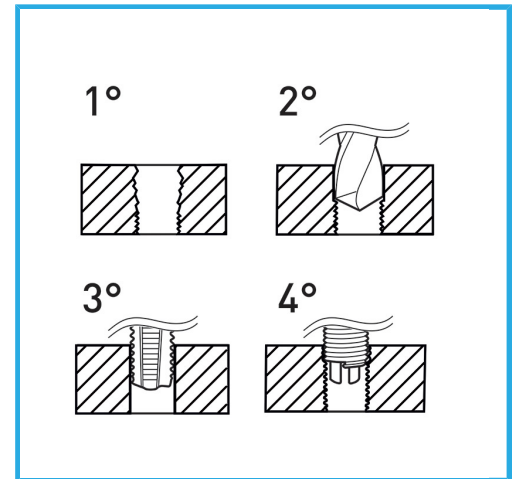


SUITABLE FOR THREAD REGENERATION OR TO OBTAIN VERY RESISTANT TAPPING IN SOFT MATERIALS.



|                             |                 |
|-----------------------------|-----------------|
| <b>Dimensions</b>           | M 12 x 1.5      |
| <b>Boring bit</b>           | Ø 12.4 mm       |
| <b>STI Taps</b>             | E011/M120X150M  |
| <b>Inserting tool</b>       | E011/U15        |
| <b>Tang break tool</b>      | E011/A15        |
| <b>Inserts quantity</b>     | 10              |
| <b>Gross weight</b>         | 0,67 kg         |
| <b>Packaging dimensions</b> | 170x130x40 h mm |
| <b>EAN Code</b>             | 8012667364779   |



Hangable

HSS



INOX