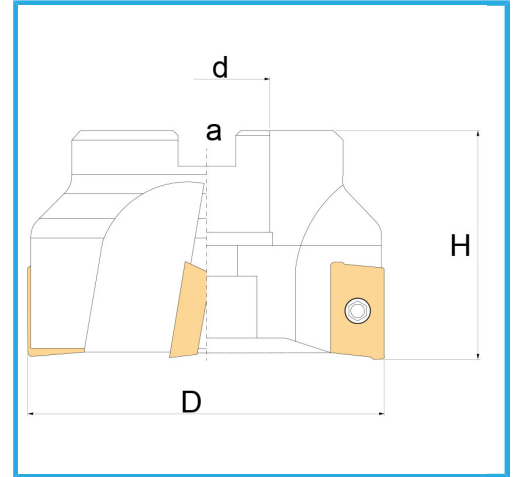
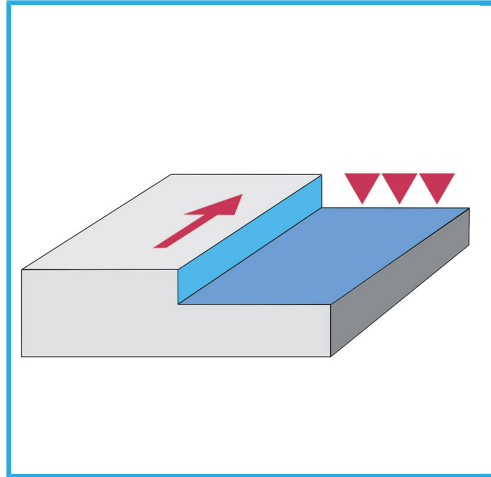


WITH SLEEVE CONNECTION, RECOMMENDED FOR USE ON MACHINES WITH MEDIUM POWER.



D	40 mm
H	40 mm
a	8,4 mm
d	16 mm
Z	4
Screw	KV400
Insert (not included)	ADLT1503...
Gross weight	0,21 kg
Packaging dimensions	95x55x55 h mm
EAN Code	8012667253127



Box



Satin



Nickel
plated



Internal